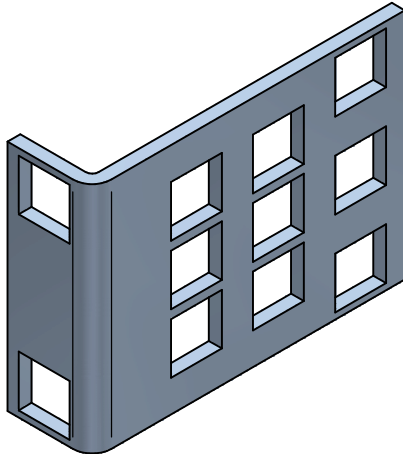
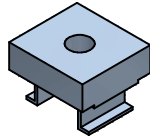


PARTS LIST

LISTE DES PIÈCES



ITEM 1
FIXED SHELF ADAPTOR BRACKET (1U)
QTY 4



ITEM 2
10-32 CAGE NUT
QTY 16

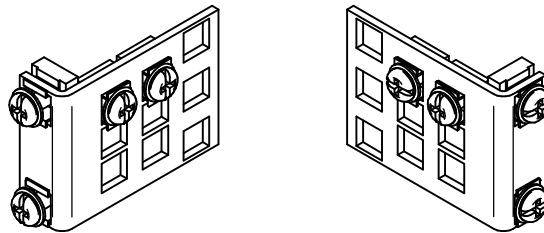
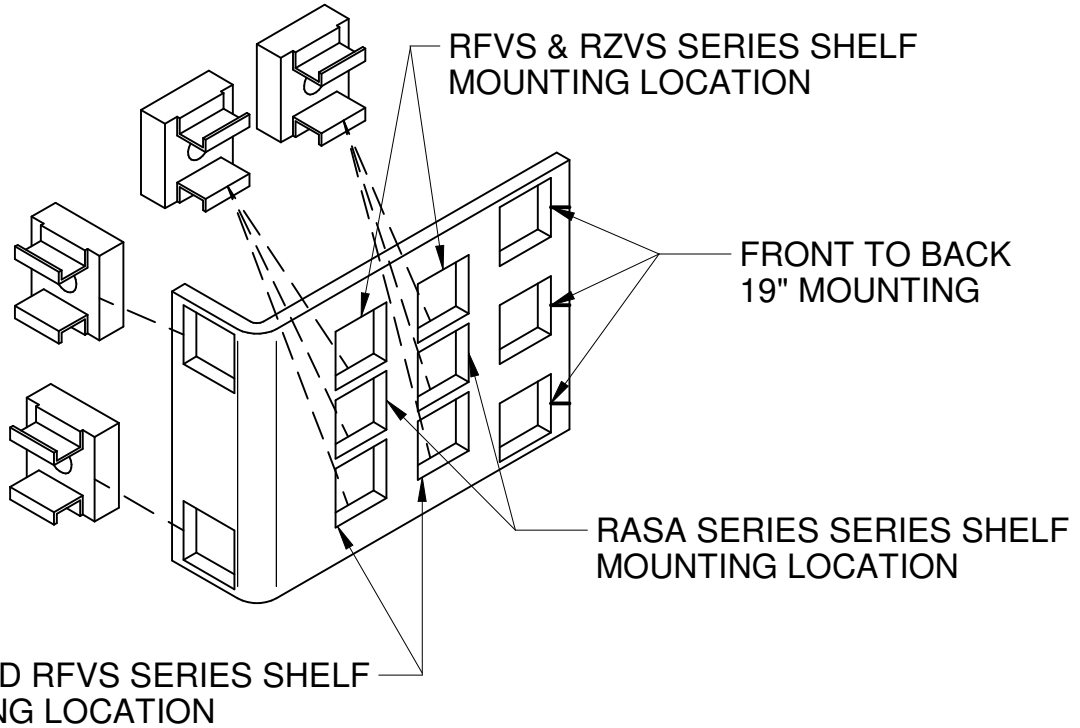


ITEM 3
10 FLAT WASHER
QTY 16

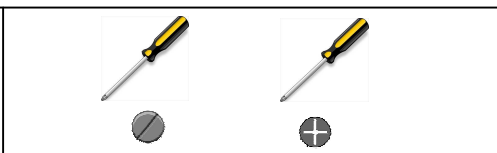
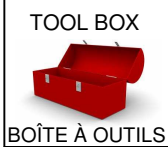


ITEM 4
10-32 X 5/8 PAN HEAD SCREW
QTY 16

1



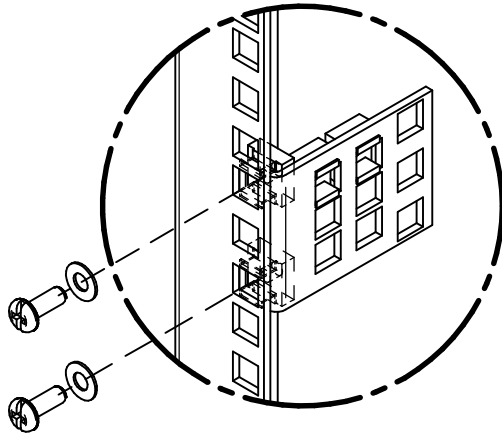
LEFT AND RIGHT SHOWN



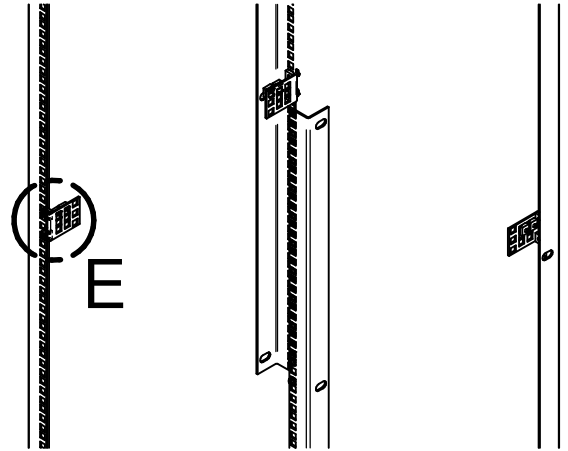
HAMMOND
MANUFACTURING®

visit our website: www.hammondmfg.com
visitez notre site Web:

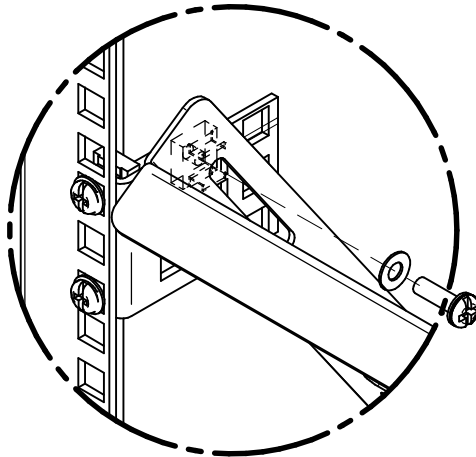
2



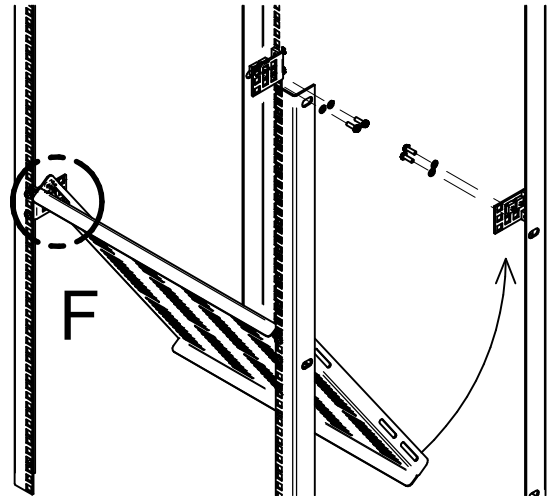
DETAIL E



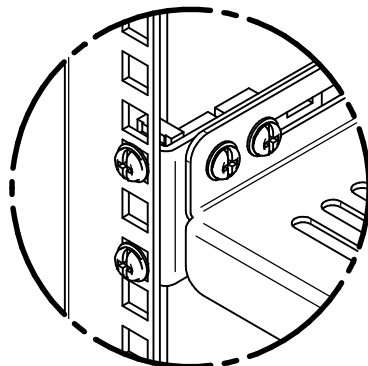
3



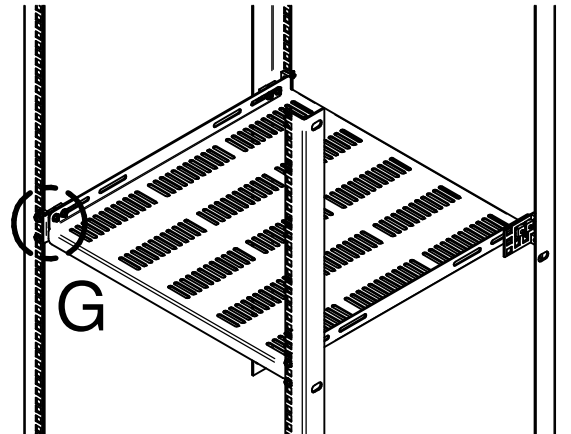
DETAIL F

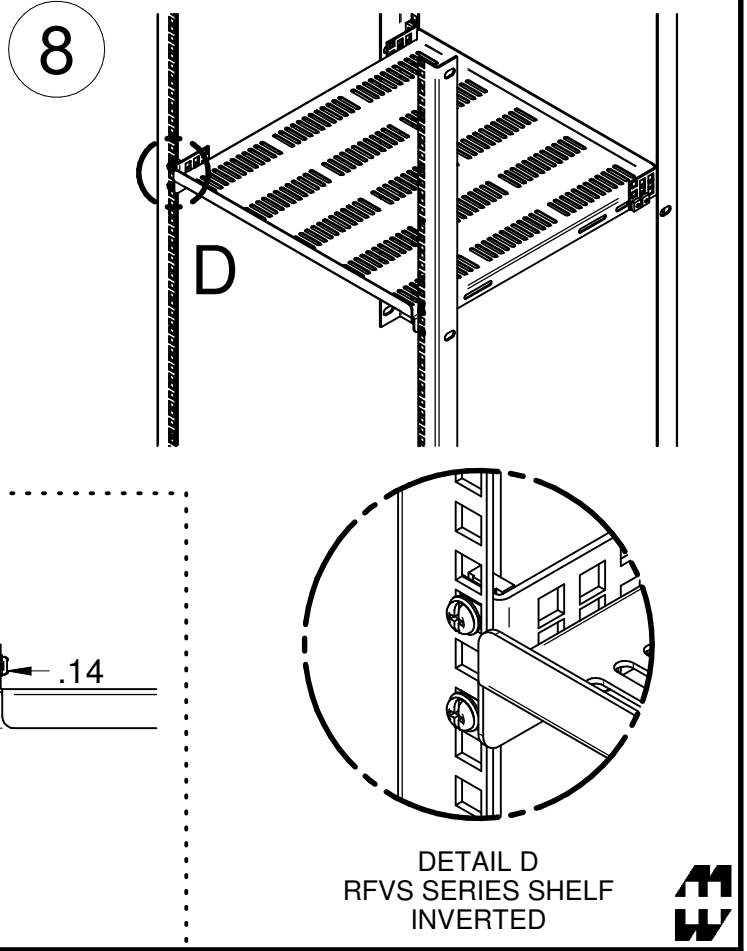
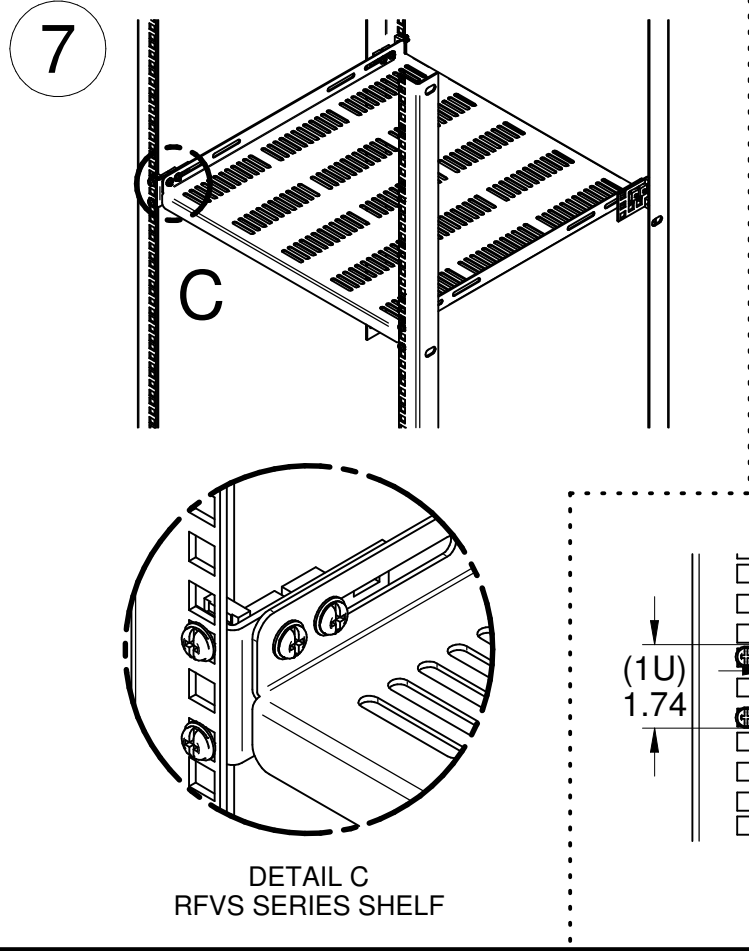
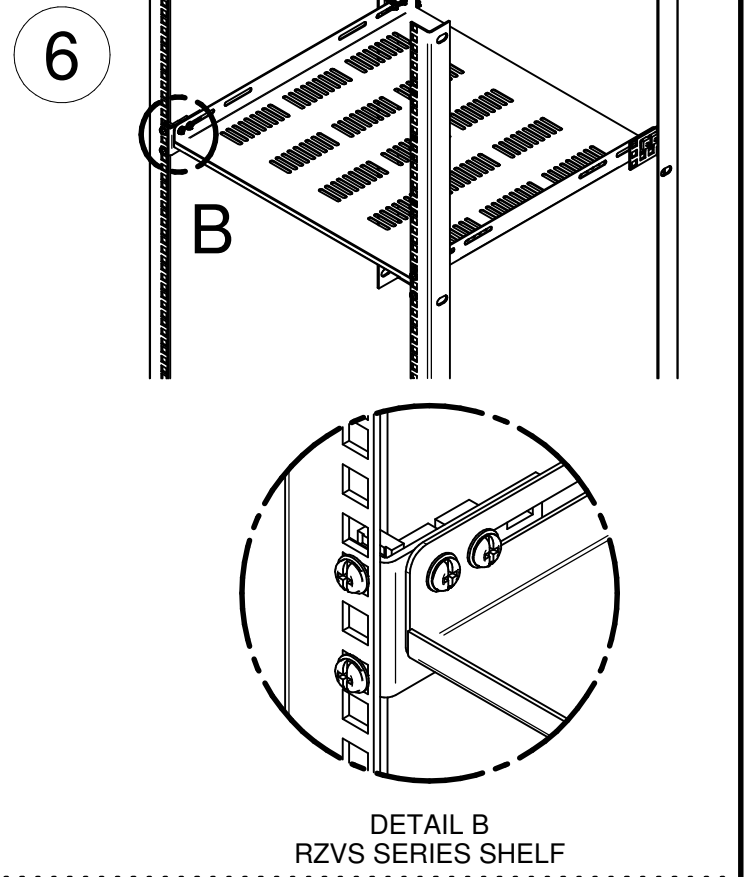
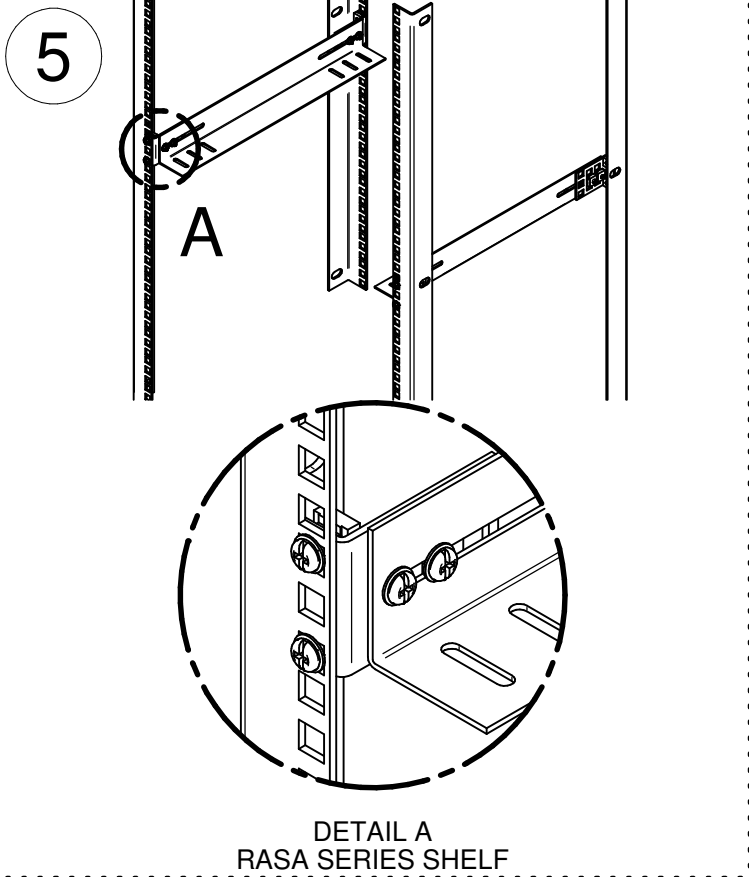


4

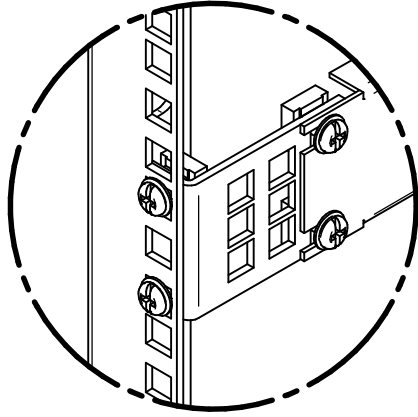


DETAIL G

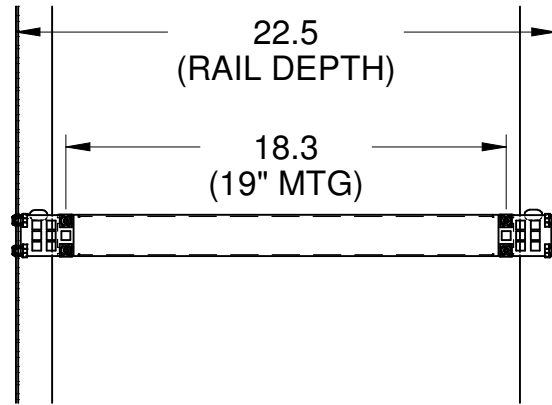
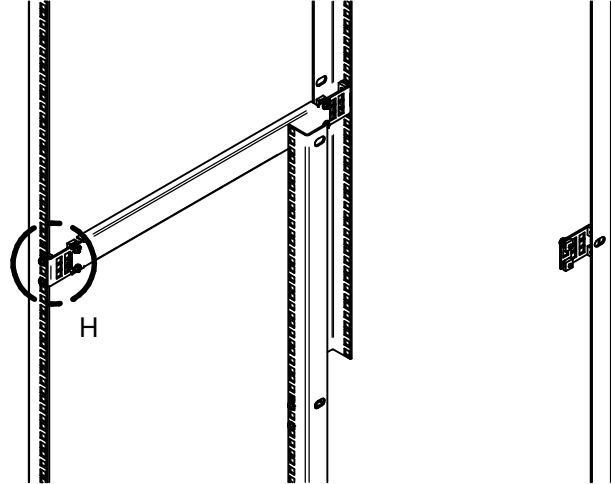




9



DETAIL H
FRONT TO BACK
19" MTG



R.S. VIEW

